

NAANDANJAIN PLASTIC FILTERS



SCREEN/DISC PLASTIC FILTERS

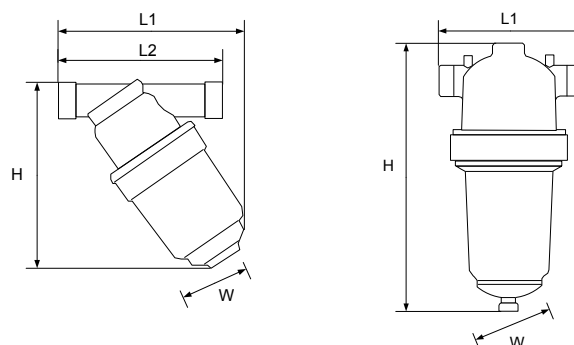
For dripline, micro-sprinkler and sprinkler systems in open fields, orchards, greenhouses and landscape applications

MAIN FEATURES

- Size range - from 3/4" to 3"
- Large filtration area allows for long operation periods before cleaning is required
- User-friendly maintenance - all parts are easily disassembled for cleaning
- Optional filtration elements - screen or disc with wide range of filtration degrees
- Minimal head loss even at high flow rates

TECHNICAL DATA

- Max. operating pressure: 8 bar / 115 psi
- Filtering element: 3/4"–1 1/2" Screen
2"–3" Screen/Disc
- Filtration degree: 300–80 micron
- Standard: 130 microns (120 mesh)
- End connections: Male BSP (Standard) / NPT (American)
- Max. water temperature: 60° C



DIMENSIONS

Size	3/4"	1"	1 1/2"	2"	2" Super	3"
L1 (mm)	135	137	278	278	278	280
L2 (mm)	120	125	201			
H (mm)	137	138	252	395	514	536
W (mm)	72	72	112	224	224	224

TECHNICAL SPECIFICATIONS

Filter type		3/4"	1"	1 1/2"	2"	2" Super	3"
In/ Out diameter (mm)		20	25	40	50	50	80
Maximal flow rate (m ³ /h)		3	5	15	25	25	50
Filter area (cm ²)	Screen	110	110	340	465	700	700
	Disc			460	790	1185	1185
Weight (kg)	Screen			1.0	3.6	4.2	4.5
	Disc			1.2	4.4	5.4	5.7

HOW TO ORDER

Size	Screen element 130 microns	Disc element 130 microns
20 mm (3/4")	6210081400	
25 mm (1")	6210081420	
40 mm (1 1/2")	6210081440	6200081400
50 mm (2")	6210081450	6200081410
50 mm (2") Super	6210081460	6200081420
80 mm (3")	6210081470	6200081430

*Codes refer to BSP (standard) threads. For NPT threads, please specify on request.