

ELECTRIC VALVES

JAR-TOP



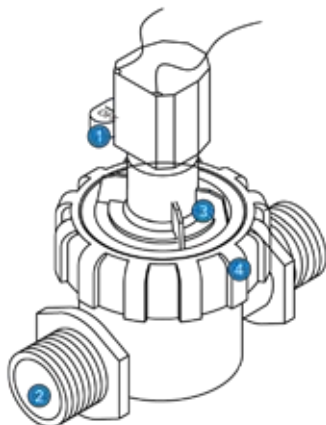
Electronic solenoid valve for professional contractors. Reliability and quality ensured by use of polyamide, TPE and AISIL stainless steel materials. Easy cleaning and maintenance. Compatible with manifold system for quick installation.

FEATURES AND BENEFITS

- PA 6 30% fiberglass
- Single-piece diaphragm for reliable leak-free valve closing
- Self-cleaning stainless steel metering pin
- Stainless steel diaphragm with differential spring for smooth closing
- Solenoid certificate CE IP 68
- PNI2 tested at 14 bar
- Bleed handle for manual opening with internal bleed
- Energy-efficient solenoid: 0.2 AMP, 4.8 VA
- Standard solenoid: 24 VAC
- Available solenoids: 12 VDC, 24 VDC, 110 VAC and 9 (6-40) VDC latching
- NPT thread version available on request: 1" F code 100.3210910

OPERATING CONDITIONS

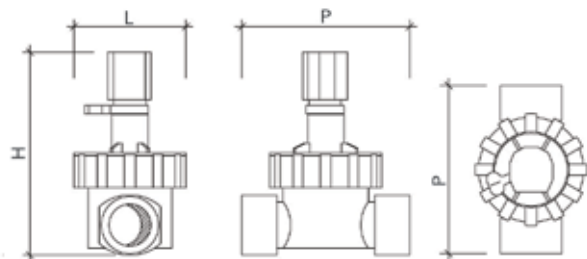
- Min/Max operating pressure: 1.0 - 12.0 bar
- Temperature: 4°C - 70°C
- Flow rate: 20 - 70 l/m



JAR-TOP Loss of Charge (bar)

	3/4"	1"	1" MxU
30 l/min	0.38	0.28	0.33
45 l/min	0.38	0.30	0.34
60 l/min	0.40	0.30	0.35
75 l/min	0.40	0.35	0.35
90 l/min	0.46	0.40	0.40
105 l/min	0.52	0.40	0.45
120 l/min	0.62	0.50	0.56
135 l/min	0.71	0.60	0.65

JAR-TOP Dimensions (cm)



1	Bleed handle for manual opening integrated in valve body
2	Threads available: male, female, union
3	Single-piece, co-injected diaphragm
4	JAR-TOP lid

	3/4" M	1" M	3/4" F	1" F	1" MxU
H	14.0	14.0	14.0	14.0	14.0
P	11.6	12.1	12.0	12.0	13.0
L	8.0	8.0	8.0	8.0	8.0