

ELECTRIC VALVES

RN I55 PLUS



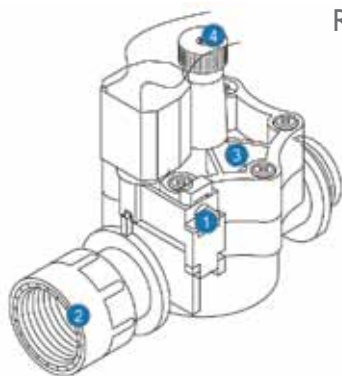
Electronic valve for professional landscape applications. Versatile with low loss in pressure. Easy manual opening integrated in the valve body, adjustable flow control and strong body.

FEATURES AND BENEFITS

- PA 6 30% fiberglass
- Single-piece diaphragm for reliable leak-free valve closing
- Self-cleaning stainless steel metering pin
- Stainless steel diaphragm with differential spring for smooth closing
- Solenoid certificate CE IP 68
- PNI2 tested at 14 bar
- Bleed handle for manual opening with internal bleed
- Energy-efficient solenoid: 0.2 AMP, 4.8 VA
- Standard solenoid: 24 VAC
- Available solenoids: 12 VDC, 24 VDC, 110 VAC and 9 (6-40) VDC latching
- Flow control
- NPT thread version available on request

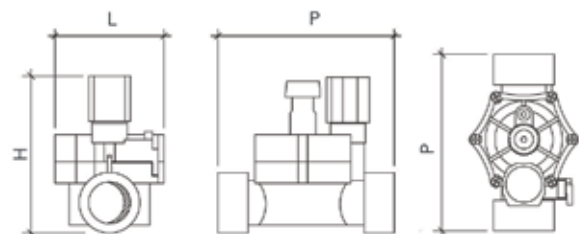
OPERATING CONDITIONS

- Min/Max operating pressure: 1.0 - 12.0 bar
- Temperature: 4°C - 70°C
- Flow rate: 35 - 90 l/m



RN I55 PLUS Loss of Pressure (bar) RN I55 PLUS Dimensions (cm)

	3/4"	1"	1" MxU
30 l/min	0.30	0.25	0.35
45 l/min	0.30	0.25	0.35
60 l/min	0.30	0.25	0.35
75 l/min	0.30	0.25	0.35
90 l/min	0.37	0.28	0.42
105 l/min	0.42	0.32	0.47
120 l/min	0.52	0.35	0.57
135 l/min	0.62	0.40	0.67
150 l/min	0.75	0.47	0.80



	3/4" M	1" M	1" F	1" MxU
H	11.5	11.5	11.5	11.5
P	13.1	13.1	13.1	13.9
L	8.1	8.1	8.1	8.1

1	Bleed handle for manual opening integrated in valve body
2	Threads available: male, female, union
3	Single-piece, co-injected diaphragm
4	Flow control adjustment handle available