

ELECTRIC VALVES

RN I 60 PLUS



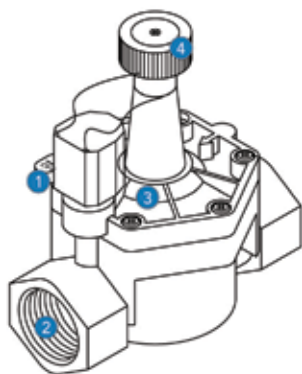
Electronic valve for professional landscape and agricultural applications. Versatile, reliable and strong with high performance.

FEATURES AND BENEFITS

- PA 6 30% fiberglass
- Self-cleaning stainless steel metering pin
- Stainless steel diaphragm with differential spring for smooth closing
- Solenoid certificate CE IP 68
- PN12 tested at 14 bar
- Bleed handle for manual opening with internal bleed
- Energy-efficient solenoid: 0.2 AMP, 4.8 VA
- Standard solenoid: 24 VAC
- Available solenoids: 12 VDC, 24 VDC, 110 VAC and 9 (6-40) VDC latching
- Flow control
- Two NPT versions available on request: 1 1/2" NPT W/FC or 2" NPT W/FC

OPERATING CONDITIONS

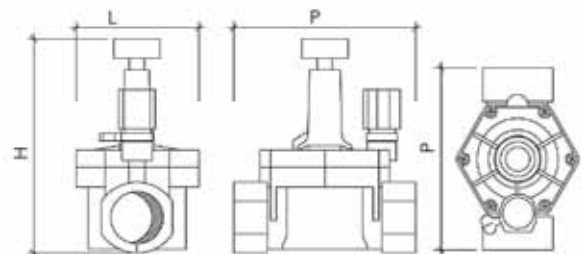
- Min/Max operating pressure: 1.0 - 12.0 bar
- Temperature: +4°C / 70°C
- Flow rate: 35 - 90 l/m



RN I 60 PLUS Loss of Charge (bar)

	1"	1 1/4"	1 1/2"	2"
75 l/min	0.20	0.20		
100 l/min	0.27	0.20	0.20	0.16
125 l/min	0.32	0.21	0.20	0.16
150 l/min	0.42	0.27	0.20	0.16
175 l/min	0.58	0.30	0.21	0.18
200 l/min	0.75	0.40	0.25	0.21
225 l/min		0.48	0.29	0.23
250 l/min		0.58	0.34	0.28
275 l/min		0.69	0.39	0.32
300 l/min			0.45	0.38
325 l/min				0.41

RN I 60 PLUS Dimensions (cm)



	1" F	1 1/4" F	1 1/2" F	2" F	2" MxU
H	18.4	18.4	18.4	18.4	18.4
P	14.5	14.8	15.7	18.3	17.5
L	10.6	10.6	10.6	10.6	10.6

1	Bleed handle for manual opening integrated in valve body
2	Threads available: male, female, union
3	Single-piece, co-injected diaphragm
4	Flow control adjustment handle available