

ACCESSORIES

ROUND VALVE BOXES



ROUND VALVE BOXES
"EZOPEN"^{PAT}

Valve boxes are opened by simply lifting and pulling a discreet handle embedded in the lid. Each valve box has an anti-vandal bolt for additional security. A specially designed model bracket inside the box allows easy and tidy wire installation.

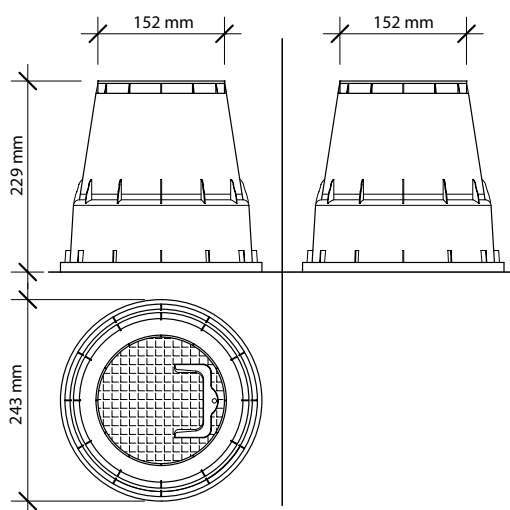
TECHNICAL DATA

- Material: 100% polypropylene
- UNI EN 124 A class A 15 (Peak load > 15 Kn)

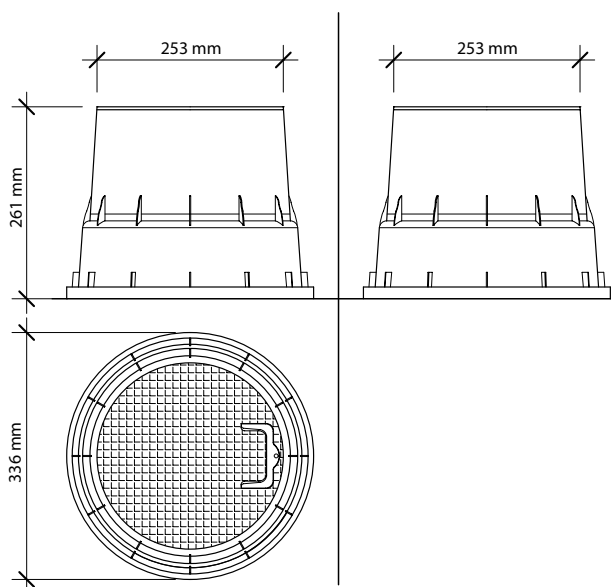
ROUND VALVE BOXES "EZOPEN"^{PAT}

Model	Height (mm)	Depth (mm)
PZCM RN15	230	150/240
PZCM RN25	260	250/340

PZCM 15



PZCM 25



ROUND VALVE BOX WITH 3/4" BALL VALVE

TECHNICAL DATA

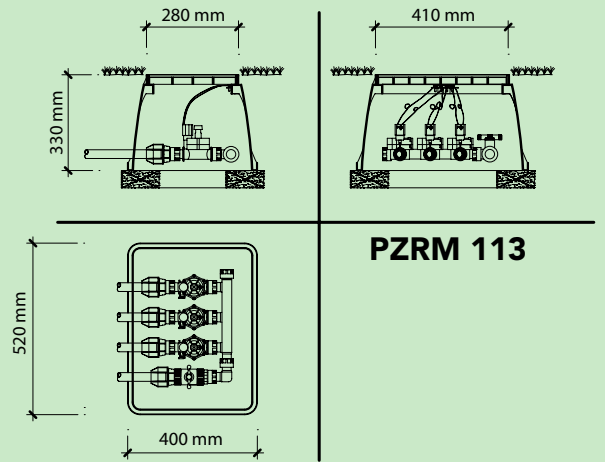
- Material: 100% polypropylene
- Valve material: zinc alloy
- Valve 3/4" male thread
- Inlet 3/4" female thread
- High resistance lid
- PZCR RN15 - Depth: 210/210 x Height: 130 mm
- Black body - Green lid

ACCESSORIES

RECTANGULAR VALVE BOXES



RECTANGULAR VALVE BOXES
113 and 115 "EZOPEN"^{PAT}

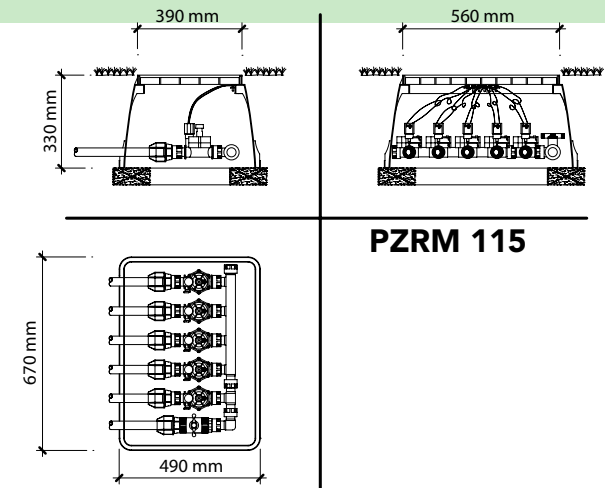


PZRM 113

RECTANGULAR VALVE BOXES "EZOPEN"^{PAT}

Model		Height (mm)	Depth (mm)
PZRM 113		330	520/400
PZRM 115	Jumbo	330	670/490
PZRM 117	Super Jumbo	410	810/590

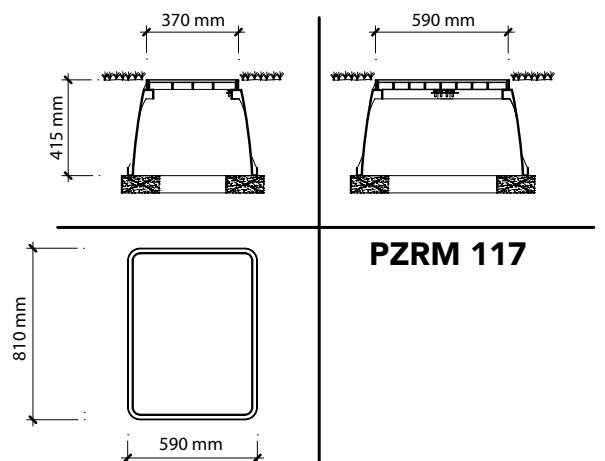
- Black body - Green lid
- Green body - Green lid



PZRM 115



RECTANGULAR VALVE BOXES
117 "EZOPEN"^{PAT}



PZRM 117

VALVE BOX RACK FOR "EZOPEN"^{PAT}

FEATURES AND BENEFITS

- Customizable in many different configurations
- Easy installation on walls of technical rooms
- Helps maintain orderly, clean valve box to make the maintenance easier and cleaner
- Manifold hooks facilitate easy installation of the valve box.

Available for rectangular valve boxes - 113, 115 series

