

# Elite NEW

PAT. PEND



## Applications

- A very efficient stand for solid-set sprinkler systems enables quick and easy assembly and disassembly of PE pipes.
- Suitable for all solid-set and semi-permanent sprinkler irrigation systems used for irrigating field crops, such as potatoes, carrots, peanuts and flowers.

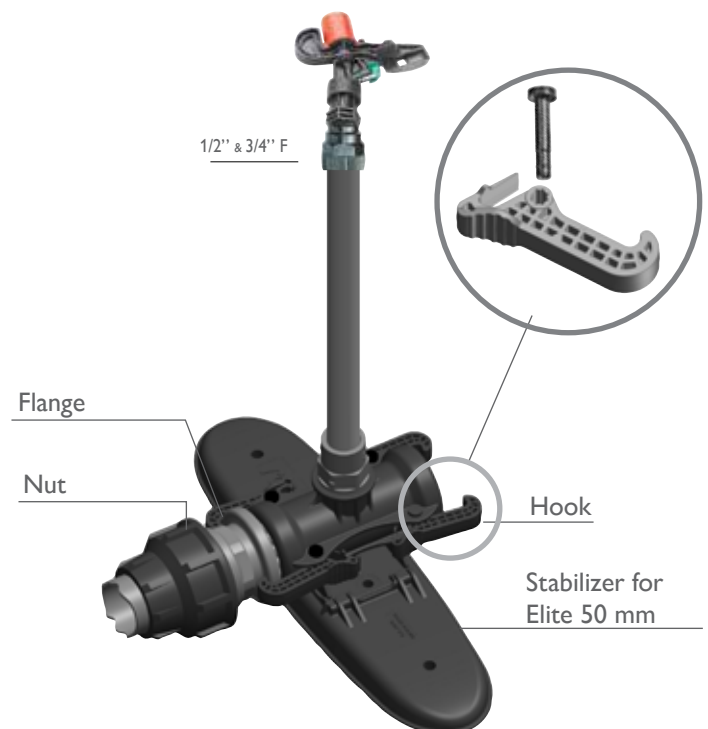
## Structure and Features

- Used with 50 mm PE pipes PN4 (2.0 mm wall thickness).
- Unique patent enables easy and quick assembling and disassembling.
- PVC riser with innovative connection reduces vibration and ensures better stability, obtaining maximum irrigation performance.
- Available with 3/4" or 1" PVC risers.
- Specially designed hook made of heavy-duty material ensures proper work in tough field conditions.
- Well-designed V-ring prevents leakage under low pressure conditions during start-up and at the end of irrigation.
- Special "Zero" V-ring is available for LPD (Leakage Prevention Device) irrigation system.
- Suitable for a wide range of sprinklers: 5022 SD U, 5022 SD, 6025 SD, 427, Super 10 and MagicDrive for spacing up to 15 m.
- 50 mm PE pipe available in segments of 9 m, 10 m, and 12 m (other lengths can be supplied on request).
- Operating pressure range up to 4.0 bar, depending on the sprinkler.



Special tools for precise assembling and disassembling of the stabilizer

	
<p>Catalog no. 6740588002</p>	<p>Catalog no. 6740588001</p>

A PAT. PEND heavy-duty stand for solid-set sprinkler systems, with special engineering design for easy and quick assembling, ensures perfect operational flexibility.



## Elite - complete (without sprinkler)

	Description	Code
	Elite 50 mm kit, Standard V-ring, W/O riser	798701
	Elite 50 mm kit, Zero V-ring, W/O riser	798702
	3/4" PVC riser 60 cm subassembly for Elite 50 mm	798860
	3/4" PVC riser 70 cm subassembly for Elite 50 mm	798870

## Elite - components and spare parts

	Description	Code
	Hook for Elite 50 mm	798904
	Shaft for Elite 50 mm	798905
	Standard V-ring	6405591030
	Zero V-ring	6405591031
	Stabilizer for Elite 50 mm	798902
	PVC sleeve 150 mm for Elite 50 mm	6405420003
	Grip ring for Elite 50 mm	6410021012
	Nut for Elite 50 mm	6410021010
	Flange for Elite 50 mm	798903
	Adapter 2" for Elite - "zero" v-rings	798804
	Adapter 2" for Elite - standard v-rings	798805