



ELITE

PAT. PEND

ASSEMBLY INSTRUCTIONS FOR USER

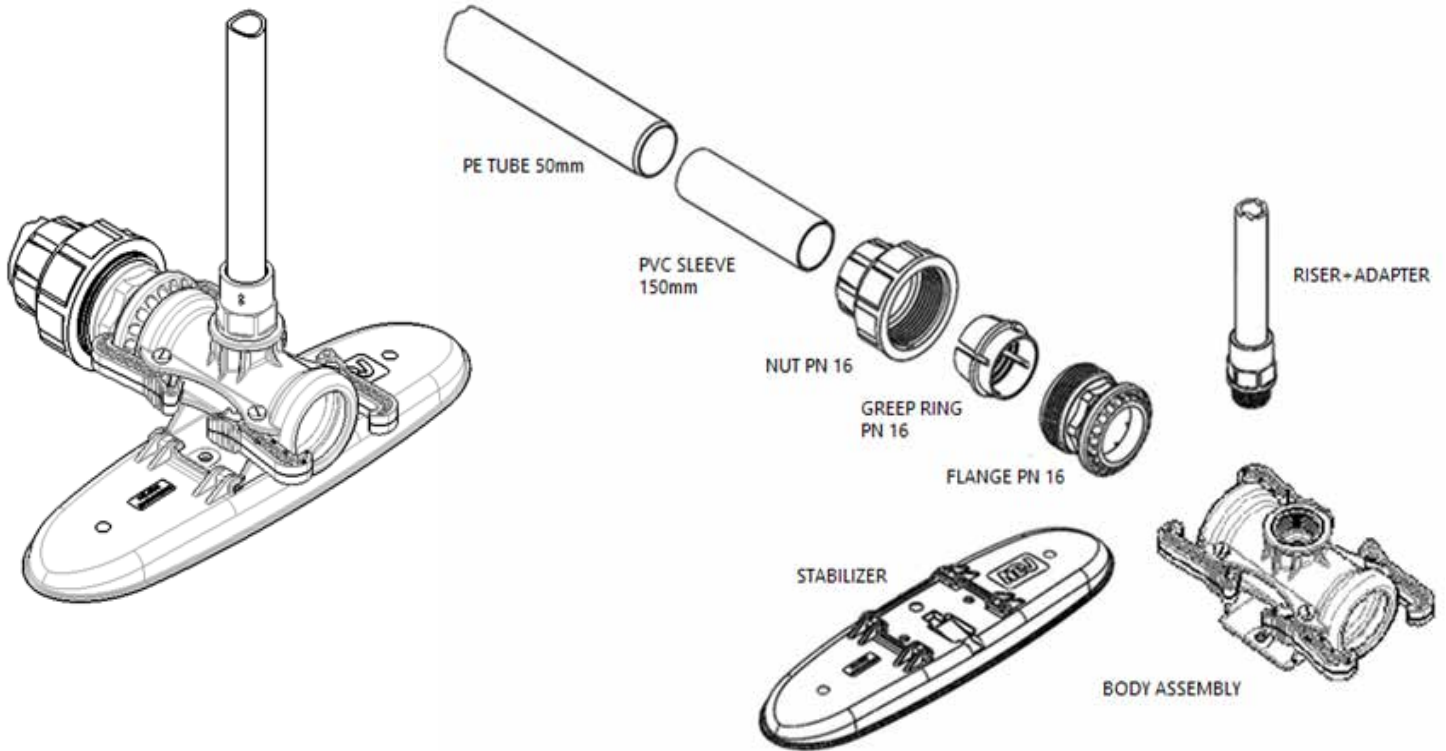
A PAT. PEND heavy-duty stand for solid-set sprinkler systems, with special engineering design for easy and quick assembling, ensures perfect operational flexibility.

NAANDANJAIN

A JAIN IRRIGATION COMPANY

ASSEMBLY INSTRUCTIONS FOR USER

ELITE PAT. PEND



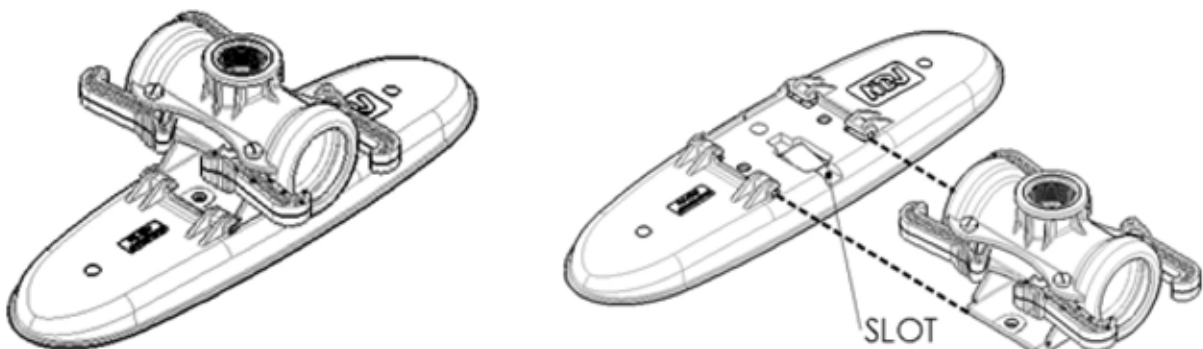
ELITE KIT PARTS

Body Stabilizer assembly:

Slide the Body all the way into the Stabilizer until hearing a “click”.

Notes:

- The Body is symmetric and can be assembled at both directions.
- The Body can be disassembled from the Stabilizer by pushing the handle of the Assembly Tool into the Stabilizer’s slot and pulling the Body out. See Assembly Tool sketch in next page.



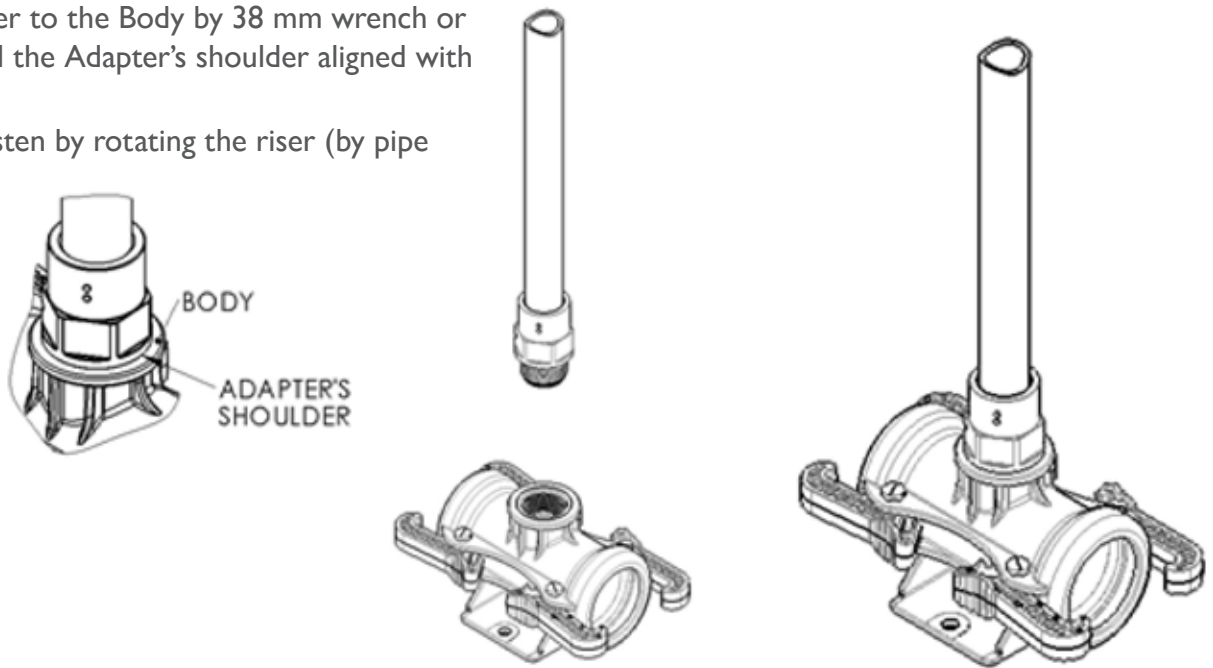
ASSEMBLY INSTRUCTIONS FOR USER

ELITE PAT. PEND

Riser (with glued Adapter) Body assembly:

Screw the glued adapter into the body.
Fasten the adapter to the Body by 38 mm wrench or 1.5" wrench until the Adapter's shoulder aligned with the body.

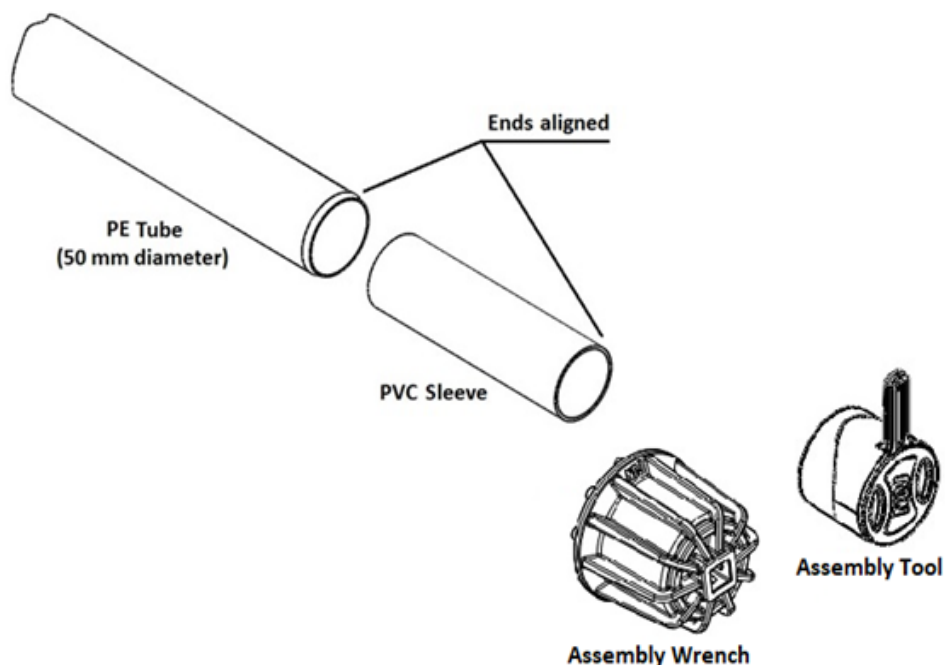
Note: Do not fasten by rotating the riser (by pipe wrench).



PVC Sleeve to PE Tube assembly:

Insert the PVC Sleeve into the PE Tube until both ends aligned.

The assembly can be done by pushing the Sleeve into the Tube by the Assembly Tool or by the Assembly wrench.



ASSEMBLY INSTRUCTIONS FOR USER

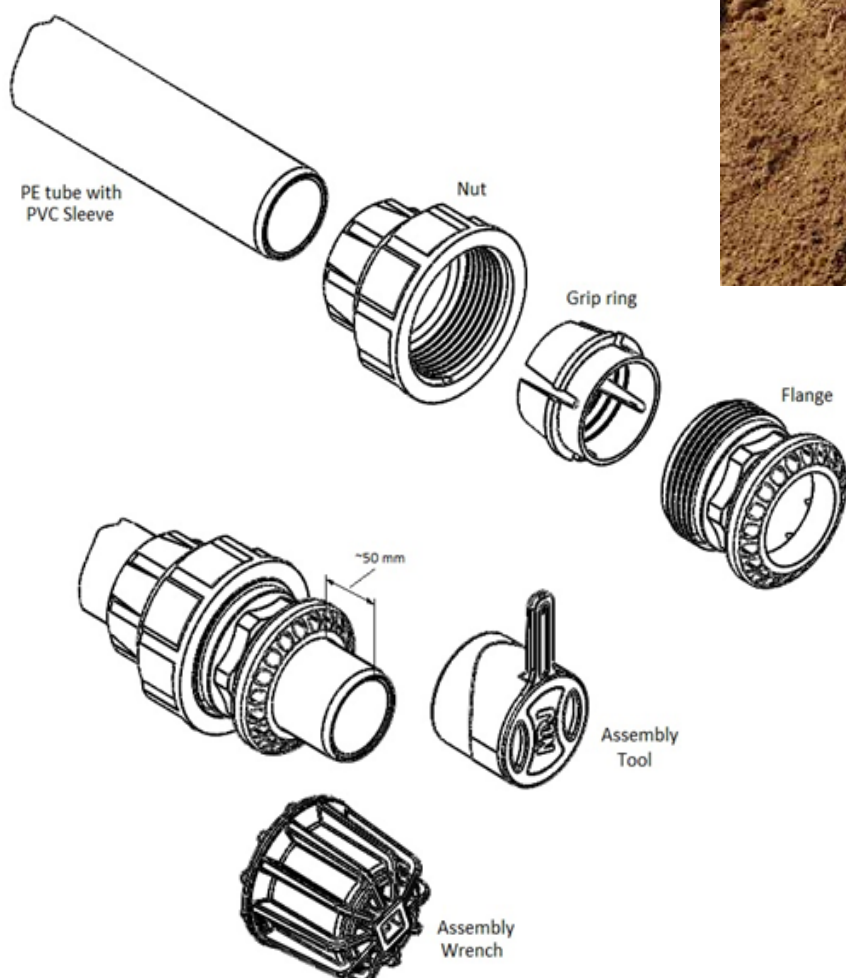
ELITE PAT. PEND

Assembly of flange on PE tube

Place the Nut, Grip ring and Flange on the PE tube (with the PVC Sleeve) and push the flange to about 50 mm from the tube's end by using the Assembly Tool or the Assembly Wrench for correct Flange positioning.

Hold the Flange, screw the nut to the Flange and fasten the Nut.

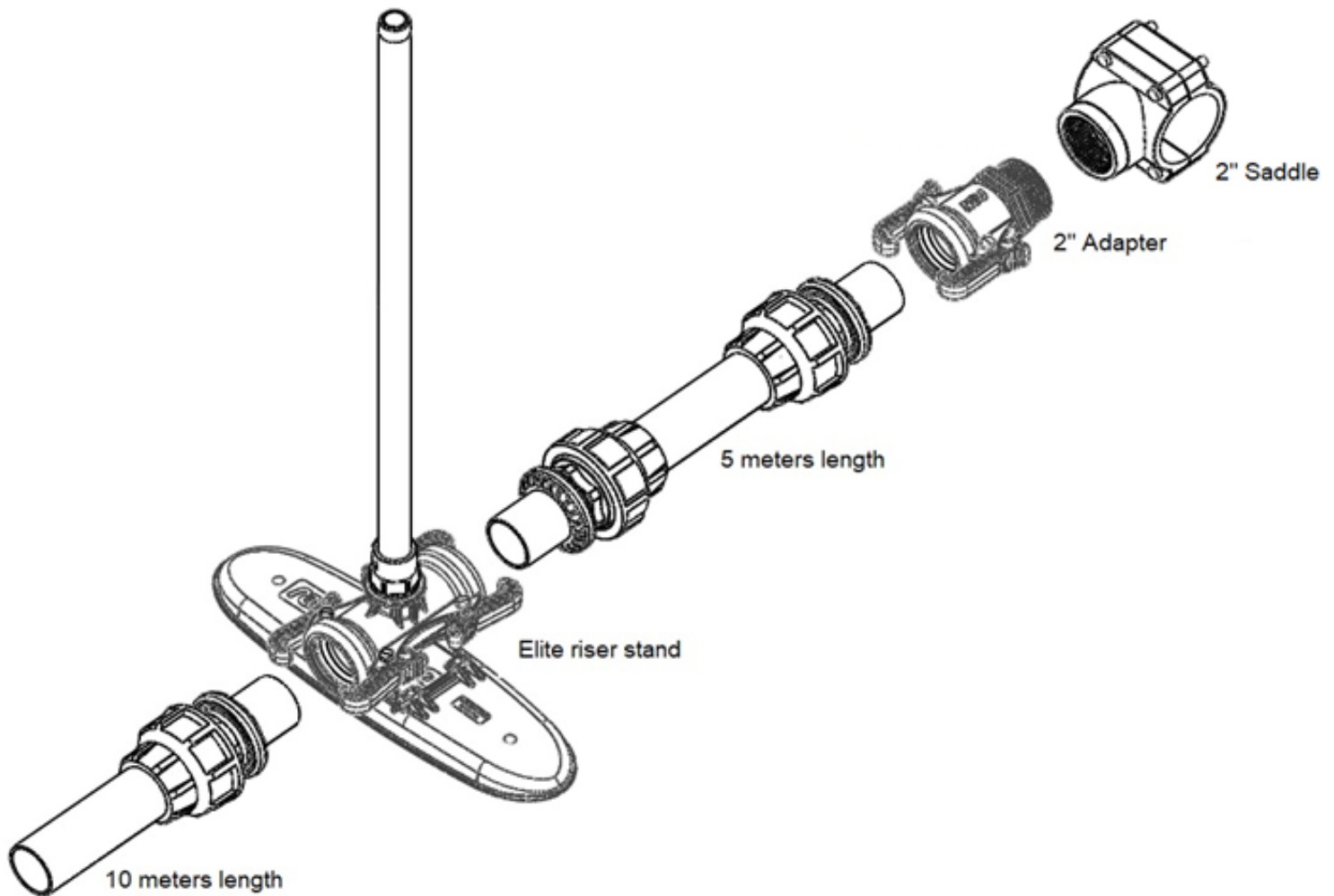
Alternatively, screw the Flange into the Nut by using the Assembly Wrench with manual wrench handle with 1/2" (12.7 mm) square head.



ASSEMBLY INSTRUCTIONS FOR USER

ELITE PAT. PEND

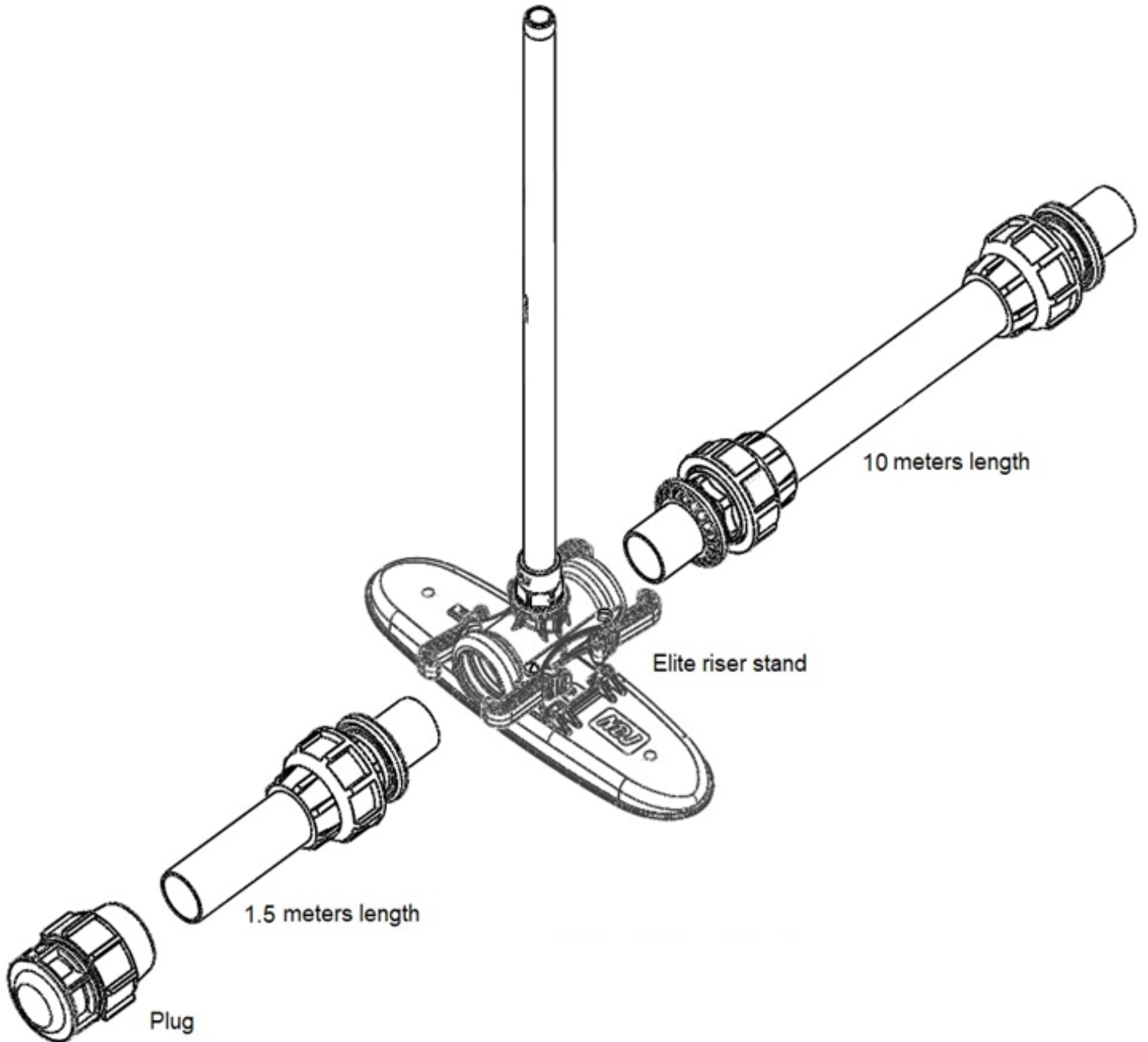
LINE **START** ASSEMBLY INSTRUCTIONS



ASSEMBLY INSTRUCTIONS FOR USER

ELITE PAT. PEND



LINE END ASSEMBLY INSTRUCTIONS



ASSEMBLY INSTRUCTIONS FOR USER

ELITE PAT. PEND

Elite - complete (without sprinkler)

	Description	Code
	Elite 50 mm kit, Standard V-ring, W/O riser	798701
	Elite 50 mm kit, Zero V-ring, W/O riser	798702
	3/4" PVC riser 60 cm subassembly for Elite 50 mm	798860
	3/4" PVC riser 70 cm subassembly for Elite 50 mm	798870

Elite - components and spare parts

	Description	Code
	Hook for Elite 50 mm	798904
	Shaft for Elite 50 mm	798905
	Standard V-ring	6405591030
	Zero V-ring	6405591031
	Stabilizer for Elite 50 mm	798902
	PVC sleeve 150 mm for Elite 50 mm	6405420003
	Grip ring for Elite 50 mm	6410021012
	Nut for Elite 50 mm	6410021010
	Flange for Elite 50 mm	798903
	Adapter 2" for Elite - "zero" v-rings	798804
	Adapter 2" for Elite - standard v-rings	798805



© NAANDANJAIN LTD. 06/2022

© 2022 NaanDanJain Ltd. All rights reserved.
All specifications are subject to change without notice.

NAANDANJAIN
A JAIN IRRIGATION COMPANY



NaanDanJain Irrigation Ltd.

✉ Post Naan 7682900, Israel

@ contact@naandanjain.com 🏠 www.naandanjain.com